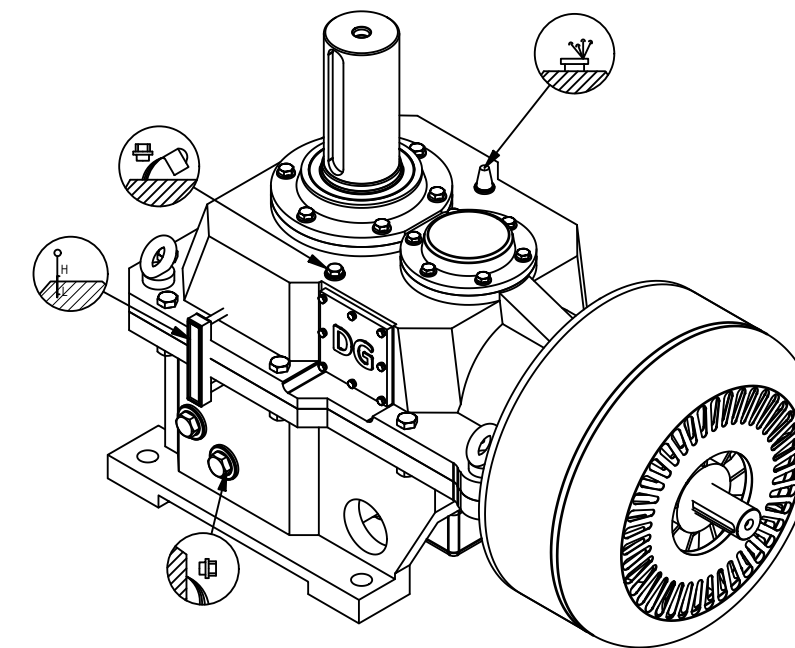
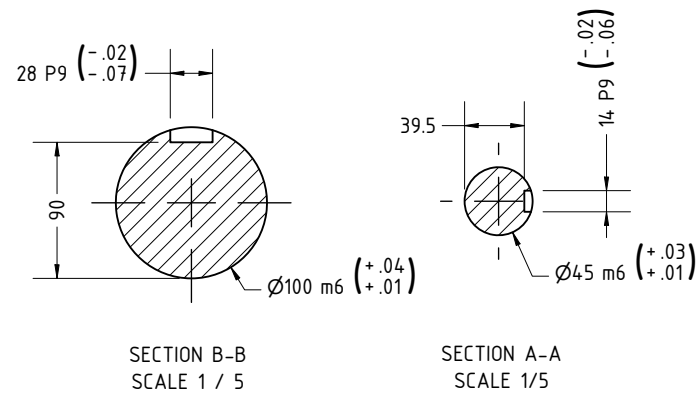


1	Power	55 Kw
2	Input Speed	1480 Rpm
3	Ratio	1/7.04



Designed by	M. Zahiri	Dr. Gearbox Power Transmission Engineering www.Drgearbox.com	SCALE	1 / 8	REVISION	03
Checked by	B. Taghizadan		DATE	97/09/01	MATERIAL	
Drawn by	M. Zahiri		NAME		WEIGHT	395.665 kg
Approved	B. Taghizadan		COOLING TOWER GEARBOX		ITEM	
UNIT OR ASSEMBLY		PART NO.		REQ.	-	SIZE
MSC_COOLING TOWER		DG-MSC-COTG45				A3