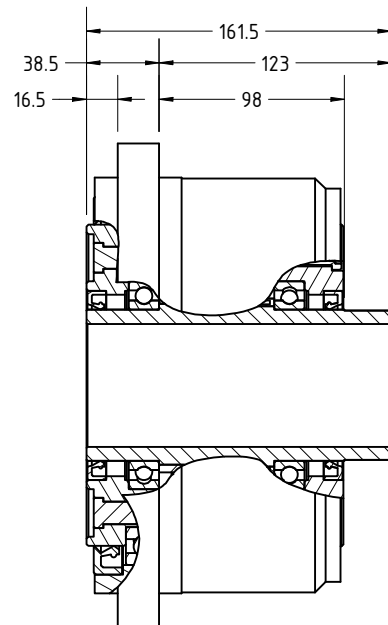
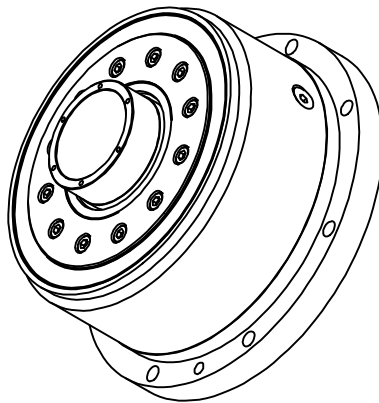
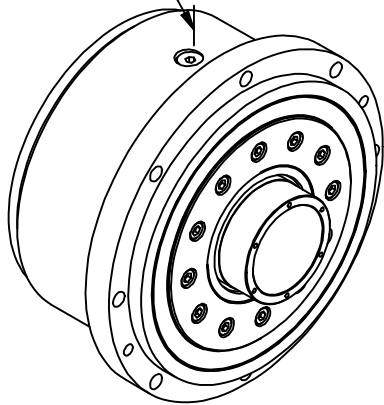


F4CF-C35

Grease Filler And Drain



F4CF-C35-R

Designed by	M. Zahiri	Dr. Gearbox Power Transmission Engineering www . Drgearbox . com	SCALE	1 / 4	REVISION	00
Checked by	B. Taghizadan		DATE	99/06/27	MATERIAL	
Drawn by	M. Zahiri		NAME		WEIGHT	30.035 kg
Approved	B. Taghizadan		FINE CYCLOIDAL		ITEM	
UNIT OR ASSEMBLY		PART NO.				
FINE CYCLOIDAL F4CF-C35		F4CF-C35-V3		QTY.		SIZE A4