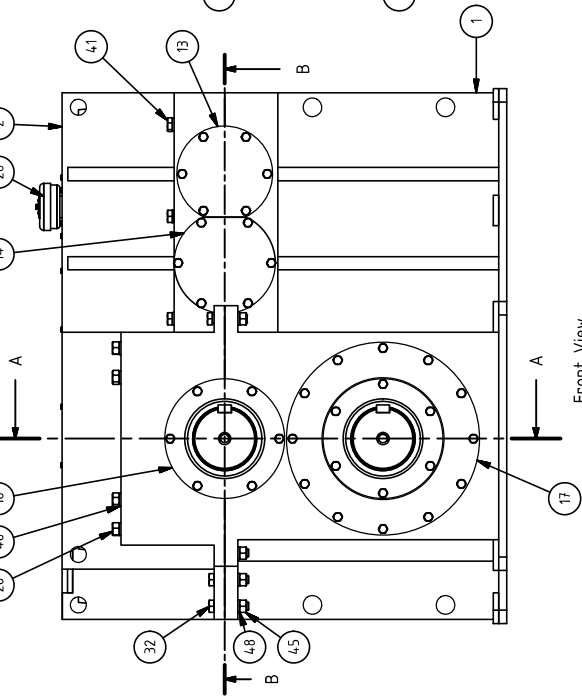
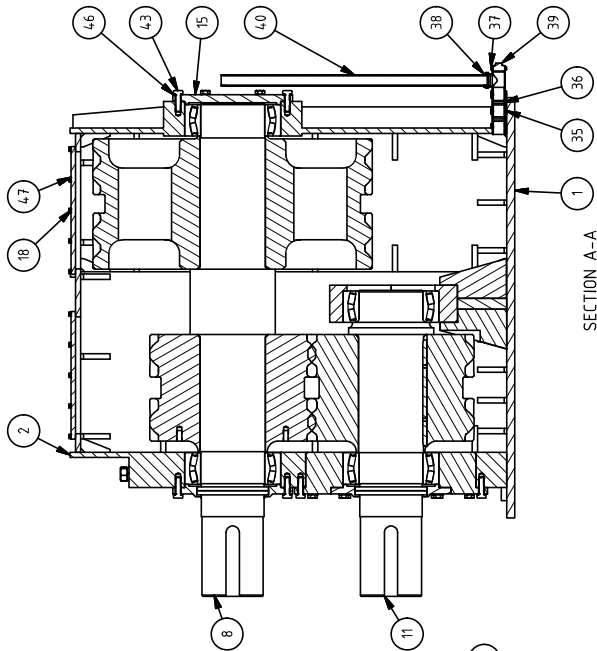


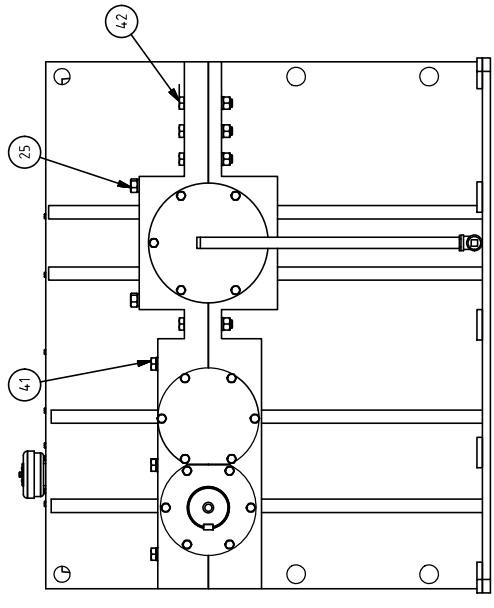
SECTION B-B
SCALE 1 / 20



Front View
SCALE 1 / 20



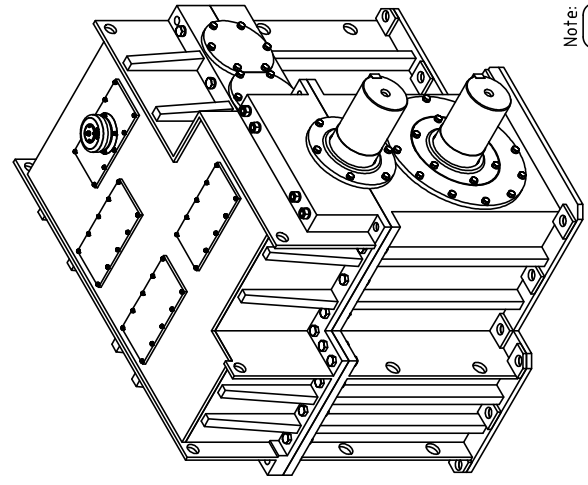
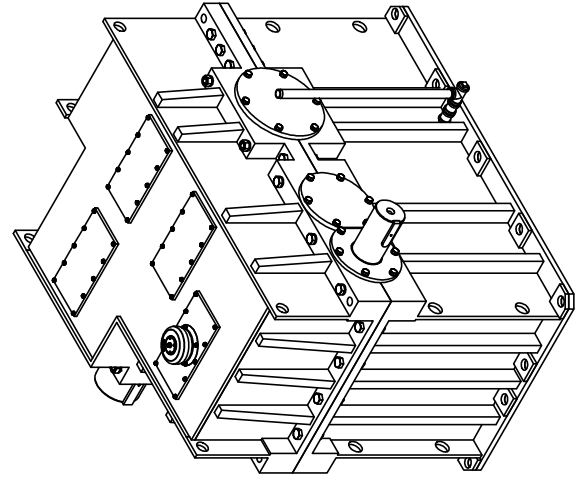
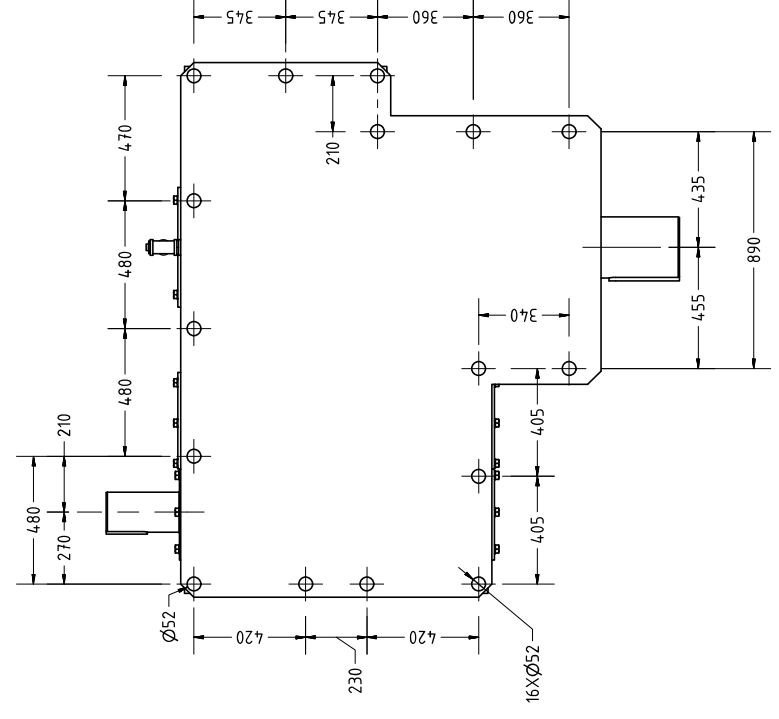
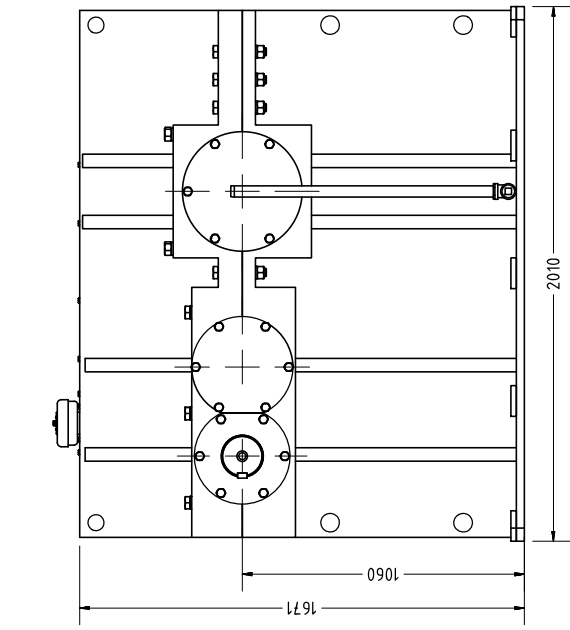
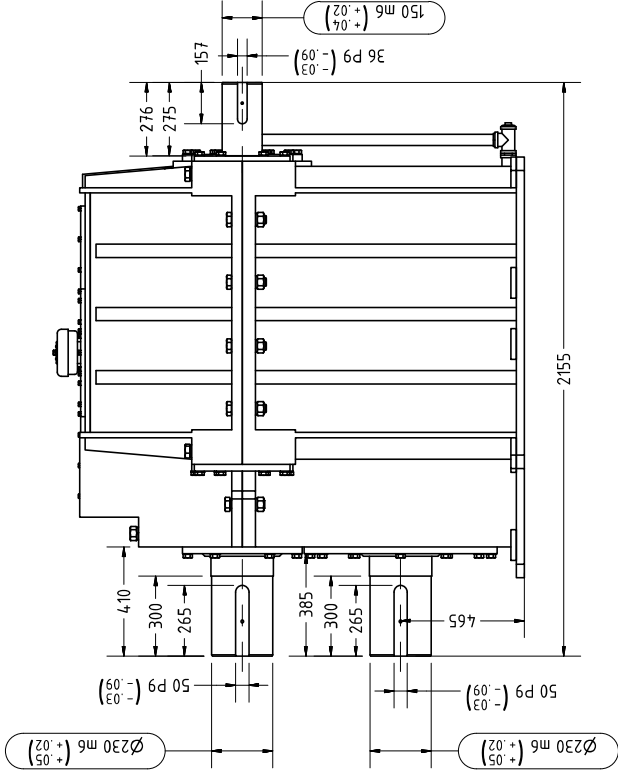
SECTION A-A
SCALE 1 / 20



Back View
SCALE 1 / 20

Designed by	DG	SCALE	1 / 20	REVISION	04
Checked by		QTY.		MATERIAL	
Drawn by	M. Zahriri	NAME		WEIGHT	10380.651 kg
Approved	B. Tooghizadan	STAND GEARBOX		ITEM	
UNIT OR ASSEMBLY		PART CODE		REC.	
DG-STAND		DG-BO-ST-SETUP		SIZE	
		Assembly		A3	

Dr. Gearbox
Power Transmission Engineering
www.Dr gearbox.com



Note: Dimensions by client

Designed by	DG	SCALE	1 / 20	REVISION	04
Checked by		QTY.		MATERIAL	
Drawn by	M. Zahriri	NAME		WEIGHT	10380.651 kg
Approved	B. Toaghizadan	STAND GEARBOX		ITEM	
UNIT OR ASSEMBLY		PART CODE		Setup Dimensions	
DG-STAND		DG-BO-ST-SETUP		REC.	-
				SIZE	A3