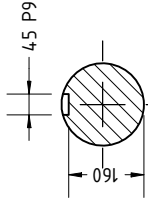
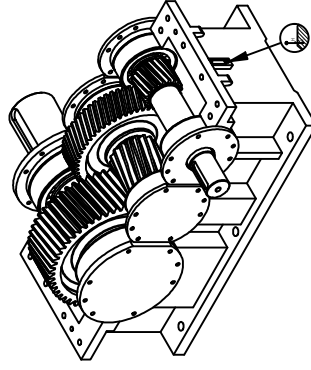
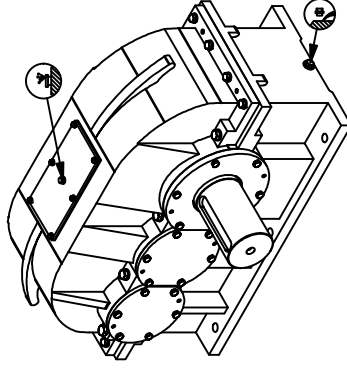
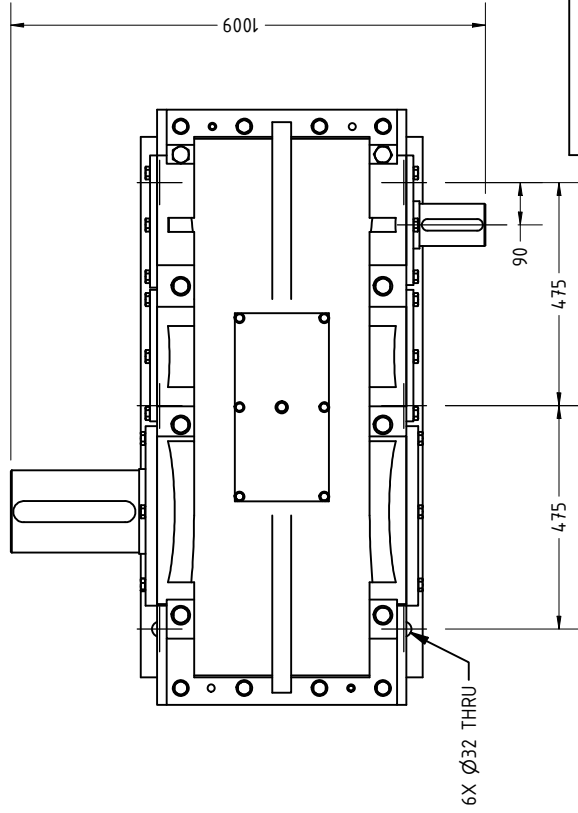
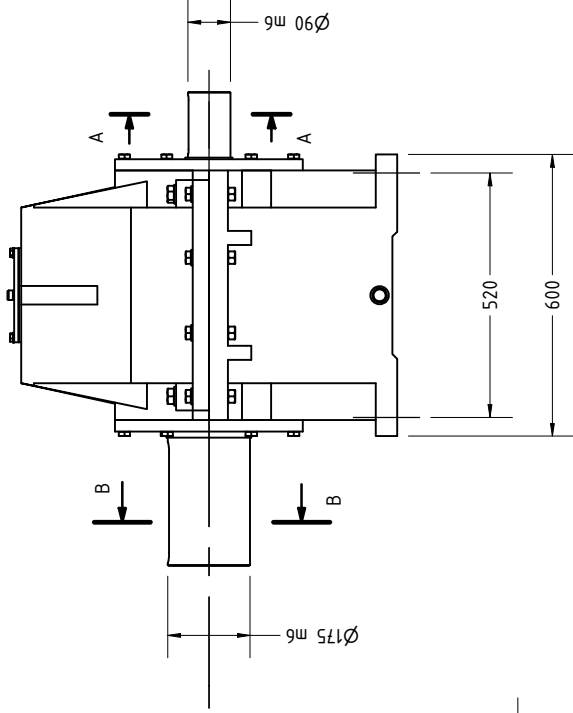


SECTION A-A
SCALE 1/15



SECTION B-B
SCALE 1/15



Designed by	B. Taghizadan	SCALE	1/15	REVISION	00
Checked by	M. Zahiri	DATE	99/04/02	MATERIAL	
Drawn by	S. Shahidi	NAME	SZN360		
Approved	B. Taghizadan	REQ.	-		
UNIT OR ASSEMBLY		PART NO.		SIZE	
BALLMILL GEARBOX		DG-BML		A4	

Dr. Gearbox

Power Transmission Engineering
www.Dr gearbox.com

Power (KW)	400
Speed (rpm)	1400
Ratio	9.87